

TP Model



Thin Panel LED Fixture 2x2 (Dimmable)

Aesthetics and high performance uniform light across the entire luminaire provides visual comfort.

Product Specifications

FEATURES & BENEFITS:

- Modern and clean style, no exposed fasteners.
- Uniform light output and wide beam angle, bright and comfortable, to alleviate eye fatigue.
- Excellent luminaire efficacy provides significant energy saving.
- Dimmable via 0-10VDC standard
- Available in 3000K, 4000K, or 5000K color temperature.
- Rated Life : 50,000 hours

Applications :

- Shop lighting
- Commercial lighting
- Boutique lighting
- Illumination lighting
- Architectural lighting

Lumen Output : 25W -3125+/- 5% lumen

Lumen Efficacy : 125lm/Watt

Operating Temperature: -4 F to 113F (-20 to 45 C)

Color Temperature (TYP): 3000K, 4000K, or 5000K

Color Rendering Index (CRI): >80

Ordering Information

Example: **TP224025SM**

Electrical System:

All electrical components are UL certified.

Input Voltage: 100~277VAC

Power Consumption: 25W

Power factor: >=0.95, THD <15%

Construction /Finish

- Aluminum +PMMA + PC Diffuser

Warranty

Five-year limited warranty.

Searchable DLC Product ID

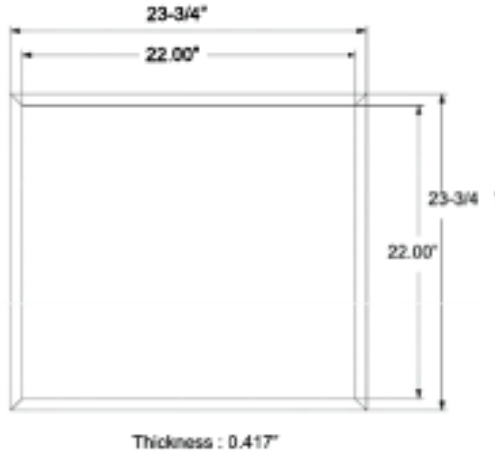
DLC Model # BDPE22DUA-25WB-PKXXX
BONLD



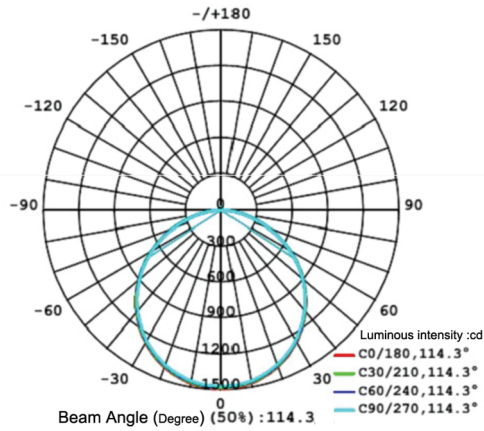
Model Number	Luminaire Type	Color Temperature	Output Wattage	Accessory
TP	22	40	25	SM
	22- 2'x2'	30- 3000K 40- 4000K 50- 5000K	25- 25W	SM- Surface mount CB- Suspend Cable mount RE- Recess mount (Blank)- Lay-in

Note: Specifications subject to change without notice. Actual performance may differ as a result of end user environment and application.

Dimensions:



Light Distribution:



Mounting Accessory:

Surface mount



Suspend Cable mount

